



## Westfield Fasteners Assortment

[Browse Product Range >](#)

# Metric O-Rings, NBR 70 Shore

## Product Description

This metric O-ring assortment contains a comprehensive selection of the most commonly used O-ring sizes manufactured from Nitrile Butadiene Rubber (NBR) with a hardness of 70 Shore A. The assortment is ideal for maintenance engineers, workshops, service technicians and DIY users, providing a convenient range of replacement seals for hydraulic, pneumatic and general engineering applications.

NBR 70 Shore O-rings offer an excellent balance of flexibility, durability and sealing performance, making them suitable for a wide variety of static and dynamic sealing applications. Figure 1 illustrates the standard metric O-ring profile.

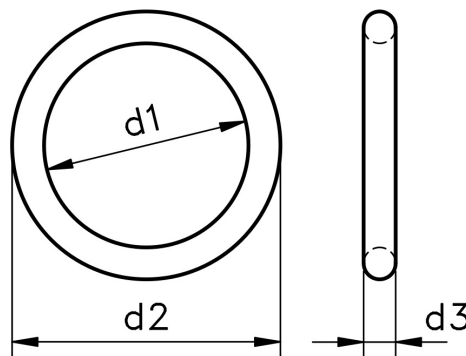


Figure 1: Metric NBR 70 Shore O-Ring

## O-Ring Application Guide

These O-rings are manufactured from Nitrile Butadiene Rubber (NBR), also commonly known as Buna-N, and have a hardness of 70 Shore A. This medium-hardness material provides an excellent combination of flexibility, resilience and wear resistance, making it one of the most widely used elastomers for general-purpose sealing applications.

NBR exhibits excellent resistance to mineral oils, greases, hydraulic fluids and many petroleum-based products. It also provides good resistance to abrasion and tearing, making it suitable for many static and dynamic sealing applications.

NBR O-rings are not recommended for prolonged contact with aromatic hydrocarbons, esters, ketones or strongly polar solvents. Care should also be taken where exposure to ozone, weathering or high temperatures is expected, as alternative elastomers may provide improved performance under these conditions.

This assortment is suitable for maintenance, repair and overhaul (MRO), automotive servicing, hydraulic equipment, pneumatic systems and general engineering applications where a selection of metric NBR O-rings is required.

O-ring sizes are specified by their inside diameter (ID) and cross section (CS). For example, an O-ring described as 10 × 2 mm has an inside diameter of 10 mm and a cross section of 2 mm.

## **Assortment Summary**

**Type** - Metric O-rings

**Material** - Nitrile Butadiene Rubber (NBR), 70 Shore A

**Size Range** - 3 x 2 mm to 44 x 4 mm

**Approximate Contents** - 385 pieces

E&OE