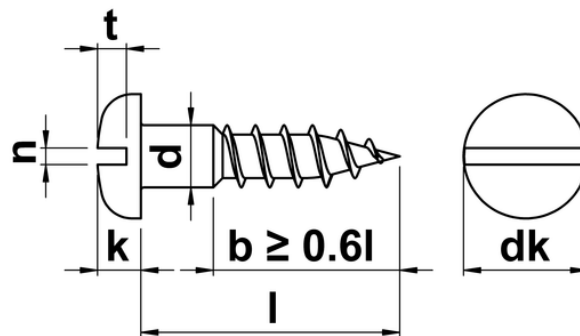




Slotted Round Head Woodscrews DIN 96

Slotted Round Head Woodscrew. Round/Dome shaped head gives an attractive finish when fitted. Please refer to dimensions on the datasheet when replacing existing woodscrews, as there can be variation between actual and nominal diameters.



d (nominal)	d (actual)	dk	k	n	t max.	s
1.6	1.4-1.6	-	-	-	-	-
2	1.7-2.0	-	-	-	-	-
2.5	2.1-2.5	-	-	-	-	-
3	2.6-3.0	6	2.1	0.8	1.35	0.8x4.0
3.5	3.1-3.5	7	2.4	0.8	1.60	0.8x4.0
4	3.6-4.0	8	2.8	1.0	1.80	1.0x5.5
4.5	4.1-4.5	9	3.1	1.0	2.0	1.0x5.5
5	4.6-5.0	10	3.5	1.2	2.30	1.2x7.0
5.5	5.1-5.5	11	3.8	1.2	2.50	1.2x7.0
6	5.6-6.0	12	4.2	1.6	2.70	1.6x9.0