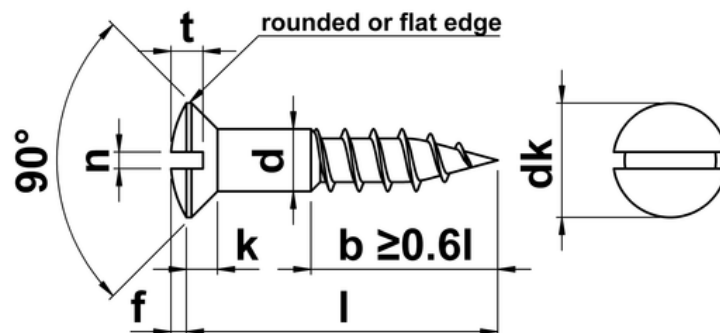




Slotted Raised Countersunk Wood Screws

Slotted Raised Countersunk Wood Screw giving an attractive finish when fitted. Please refer to dimensions on the datasheet when replacing existing wood screws, as there can be variation between actual and nominal diameters.



d (nominal)	d (actual)	dk	k	n	t	f
1.6	1.4-1.6	3.0	0.96	0.4	0.80	0.40
2	1.7-2.0	3.8	1.20	0.5	1.00	0.50
2.5	2.1-2.5	4.7	1.50	0.6	1.20	0.60
3	2.6-3.0	5.6	1.65	0.8	1.45	0.75
3.5	3.1-3.5	6.5	1.93	0.8	1.70	0.90
4	3.6-4.0	7.5	2.20	1.0	1.90	1.00
4.5	4.1-4.5	8.3	2.35	1.0	2.10	1.10
5	4.6-5.0	9.2	2.50	1.2	2.30	1.25
6	5.6-6.0	11.0	3.00	1.6	2.80	1.50