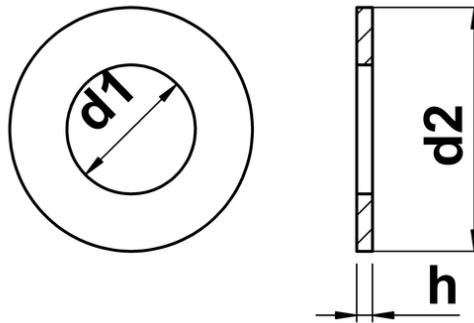




Table 3 Flat Washers

Flat washer manufactured to BS 3410 Table 3 Light Specification.



for	d1 max	d1 min	d2 max	d2 min	h
1/4	0.270	0.265	0.562	0.557	0.036
5/16	0.333	0.328	0.625	0.620	0.040
3/8	0.395	0.390	0.750	0.745	0.048
7/16	0.458	0.453	0.875	0.870	0.048
1/2	0.520	0.515	1.000	0.995	0.056
9/16	0.593	0.588	1.125	1.115	0.056
5/8	0.656	0.651	1.250	1.240	0.072
3/4	0.781	0.776	1.500	1.490	0.072
7/8	0.906	0.901	1.625	1.615	0.072
1	1.031	1.026	1.875	1.865	0.072
1-1/8	1.156	1.151	2.125	2.115	0.092
1-1/4	1.281	1.276	2.375	2.355	0.116