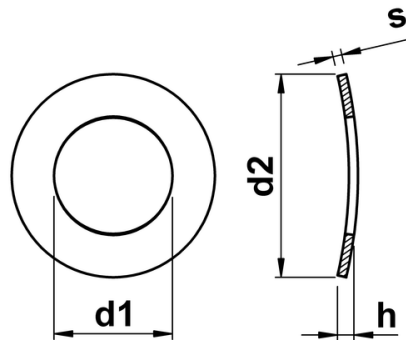




Wave Washers

Wave profiled spring washer designed to help prevent loosening of bolted joints under vibration. To DIN 137.



nominal Size	for	d1	d2	h min.	h max.	s
1.4	M1.4	1.5	3.0	0.40	0.80	0.25
1.6	M1.6	1.8	4.0	0.45	0.90	0.25
1.7	M1.7	1.8	4.0	0.45	0.90	0.25
2	M2	2.2	4.5	0.50	1.00	0.30
2.3	M2.3	2.5	5.0	0.50	1.00	0.30
2.5	M2.5	2.6	5.5	0.55	1.10	0.30
2.6	M2.6	2.8	5.5	0.55	1.10	0.30
3	M3	3.2	6.0	0.65	1.30	0.40
3.5	M3.5	3.7	7.0	0.70	1.40	0.40
4	M4	4.3	8.0	0.80	1.60	0.50
5	M5	5.3	10.0	0.90	1.80	0.50
6	M6	6.4	11.0	1.10	2.20	0.50
7	M7	7.4	12.0	1.20	2.40	0.50
8	M8	8.4	15.0	1.70	3.40	0.50
10	M10	10.5	18.0	2.00	4.00	0.80