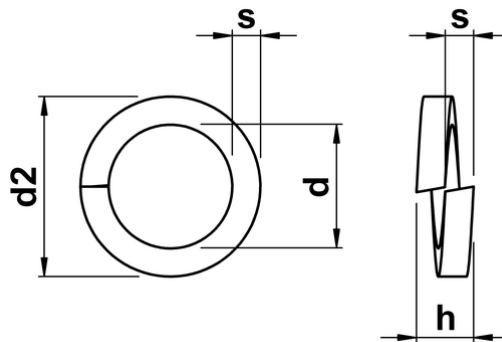




Spring Washer

Spring washer designed to help prevent loosening of bolted joints under vibration. This type has a square section and is generally used with Socket Head Cap screws/bolts, manufactured to DIN 7980.



d	for	d2 max.	h min.	s
3.0	M3	5.6	2.0	1.0
3.5	M3.5	6.1	2.0	1.0
4.0	M4	7.0	2.4	1.2
5.0	M5	8.8	3.2	1.6
6.0	M6	9.9	3.2	1.6
8.0	M8	12.7	4.0	2.0
10.0	M10	16.0	5.0	2.5
12.0	M12	18.0	5.0	2.5
14.0	M14	21.1	6.0	3.0
16.0	M16	24.4	7.0	3.5
18.0	M18	26.4	7.0	3.5
20.0	M20	30.6	9.0	4.5
22.0	M22	32.9	9.0	4.5
24.0	M24	35.9	10.0	5.0
27.0	M27	38.9	10.0	5.0
30.0	M30	44.1	12.0	6.0