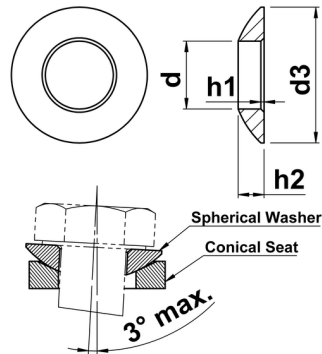




## Spherical Washers (Type C)

Spherical Washers manufactured to DIN 6319 C. Perfect for using in clamping solutions of non parallel surfaces in conjunction with Conical Seat Washers.



d	d3	h1	h2	for use with
6.4	12	0.3	2.3	M6
8.4	17	0.5	3.2	M8
10.5	21	0.5	4.0	M10
13.0	24	0.5	4.6	M12
17.0	30	0.5	5.3	M16
21.0	36	0.5	6.3	M20