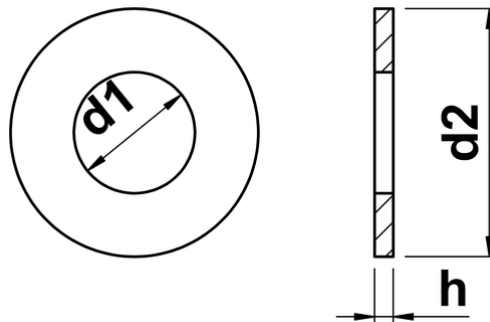




SAE Flat Washers

Flat washer to American SAE specifications, now part of the Unified Thread Standard. Washers with a smaller external diameter than that of an equivalent USS washer. Conforms to ASME B18.21.1-1999.



no.	d1	d1 max	d1 min	d2	d2 max	d2 min	h	h max	h min
6	0.156	0.187	0.156	0.375	0.406	0.344	.046	.065	.036
8	0.187	0.219	0.188	0.437	0.469	0.407	.046	.065	.036
3/16	0.218	0.250	0.219	0.500	0.531	0.469	.046	.065	.036
12	0.250	0.281	0.250	0.562	0.583	0.531	.062	.080	.051
1/4	0.281	0.312	0.281	0.625	0.656	0.594	.062	.080	.051
5/16	0.343	0.375	0.344	0.687	0.719	0.657	.062	.080	.051
3/8	0.406	0.437	0.406	0.812	0.843	0.781	.062	.080	.051
7/16	0.468	0.500	0.469	0.921	0.953	0.891	.062	.080	.051
1/2	0.531	0.562	0.531	1.062	1.093	1.031	.093	.121	.074
9/16	0.593	0.625	0.594	1.018	1.219	1.157	.093	.121	.074
5/8	0.656	0.687	0.656	1.312	1.343	1.281	.093	.121	.074
3/4	0.812	0.843	0.812	1.500	1.531	1.469	.140	.160	.108
7/8	0.937	0.969	0.938	1.750	1.781	1.719	.140	.160	.108
1"	1.062	1.094	1.062	2.000	2.031	1.969	.140	.160	.108
1-1/8	1.018	1.251	1.188	2.250	2.313	2.187	.140	.160	.108
1-1/4	1.312	1.375	1.312	2.500	2.563	2.437	.156	.192	.136
1-3/8	1.437	1.501	1.438	2.750	2.813	2.687	.156	.213	.136
1-1/2	1.056	1.625	1.562	3.000	3.063	2.937	.156	.213	.153