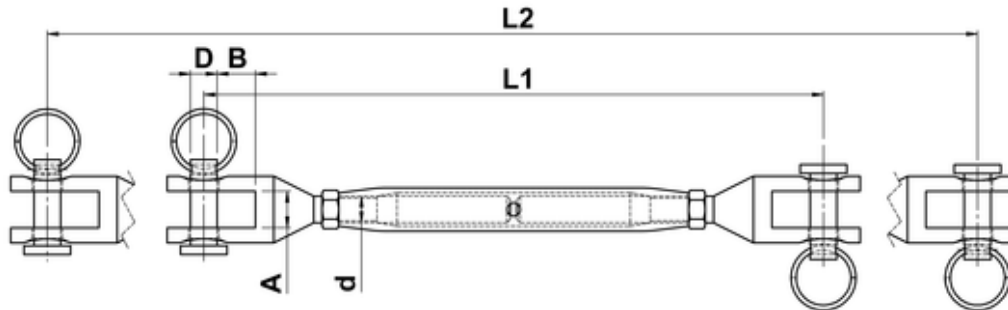




Turnbuckle with Closed Body and Milled Forks

Turnbuckle, used to ensure and adjust tension on roped, cabled, wired or rod systems. Mainly rectangular in shape with threaded inserts at either end. Each end are threaded in opposite directions so that when you rotate the body of the turnbuckle one way tension will be increased, rotate the other way and tension will be released. A versatile fixing which allows for adjustments in precise increments. Uses include boat rigging, tensioning fences, lifting rigs, theatre rigging and even on boxing/wrestling rings! - this version consists of two milled forks (jaws) with a closed body.



d	L1	L2	D	A	B
M5	135	195	5	6.5	10
M6	160	230	6	7.5	10
M8	180	255	8	11.0	11
M10	210	300	9	12.0	14
M12	270	380	12	14.0	20
M14	295	415	12	15.0	22
M16	340	480	16	17.0	26
M20	360	510	19	20.0	30