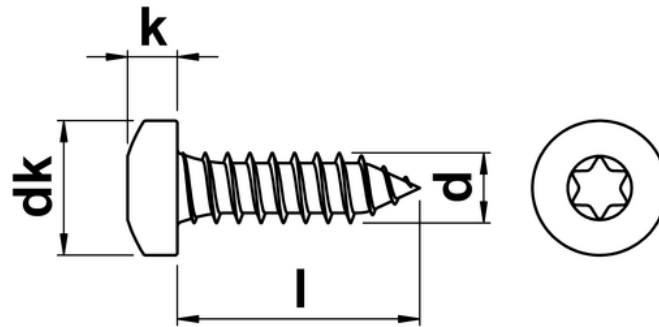




Torx Pan Head Self Tapping Screws Type C (AB)

Self tapping screws with a Torx drive; also known as star, 6 lobe, and hexalobular internal. Normally used with sheet metal and plastics, this variant has a pan head. As the name suggests, this type of screw forms its own thread as it is installed into a pre-drilled hole.



d (gauge)	d (mm)	dk	k max.	s
No.2	2.2	4.2	1.80	T 6
No.4	2.9	5.6	2.20	T 10
No.6	3.5	6.9	2.60	T 15
No.7	3.9	7.5	2.80	T 15
No.8	4.2	8.2	3.05	T 20
No.10	4.8	9.5	3.55	T 25
No.12	5.5	10.8	3.95	T 25
No.14	6.3	12.5	4.55	T 30