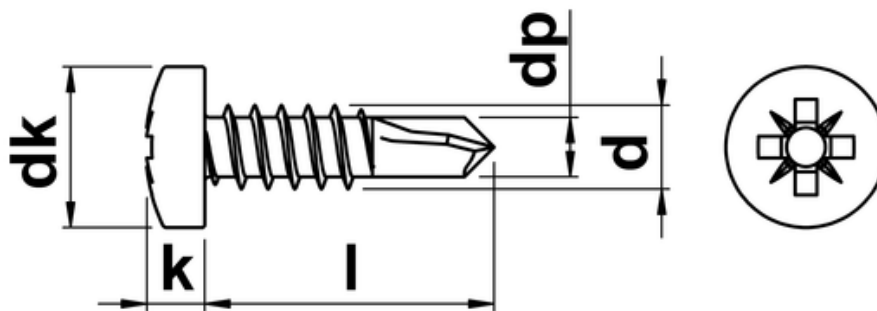




Pozi Pan Self Drilling Screws

Self Drilling screws are designed to be fitted without the need for a pre-drilled hole, and employs self tapping threads enabling installation in one operation. This variant has a pan head with a pozidriv pattern drive. Only suitable for light applications such as aluminium ducting or 1mm steel. Heavier duty screws are available, please contact us for information.



d (gauge)	d (mm)	dp	dk max.	k max.	s
No.6	3.5	2.8	6.9	2.6	PZ 2
No.7	3.9	3.1	7.5	2.8	PZ 2
No.8	4.2	3.6	8.2	3.05	PZ 2
No.10	4.8	4.1	9.5	3.55	PZ 2