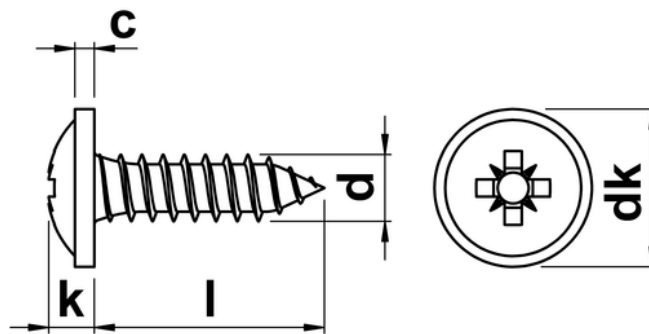




Pozi Pan Head Self Tapping Screws with Flange Type C

Self tapping screws are normally used with sheet metal and plastics. This variant has a pan head with a pozi pattern drive and incorporates a flange under the head which can negate the use of a washer and helps protect the receiving material surface. As the name suggests, this type of screw forms its own thread as it is installed into a pre-drilled hole



d (gauge)	d max. (mm)	d min. (mm)	dk max.	dk min.	k max.	k min.	s
No.4	2.90	2.79	6.53	6.12	1.60	1.35	PZ 1
No.6	3.53	3.43	8.15	7.70	1.88	1.57	PZ 2
No.8	4.22	4.09	9.75	9.24	2.36	2.01	PZ 2
No.10	4.80	4.65	11.38	10.80	2.90	2.51	PZ 2
No.12	5.46	5.31	13.00	12.37	3.15	2.74	PZ 3
No.14	6.25	6.10	14.55	13.87	3.68	3.25	PZ 3