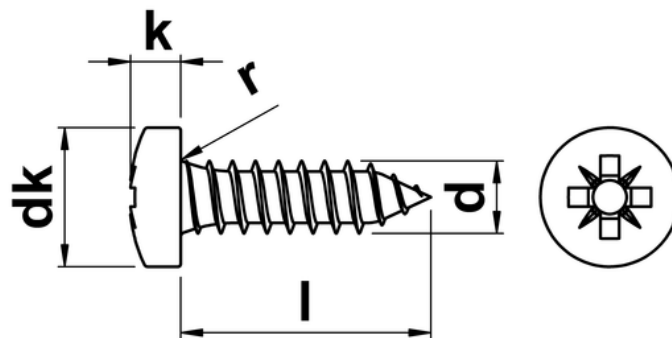




Pozi Pan Self Tapping Screws Type C (AB)

Self tapping screws are normally used with sheet metal and plastics. This variant has a pan head with a pozidriv pattern drive. As the name suggests, this type of screw forms its own thread as it is installed into a pre-drilled hole.



d (gauge)	d (mm)	dk	k min.	k max.	r max.	s
No.2	2.2	4.2	1.55	1.80	0.3	PZ 1
No.4	2.9	5.6	1.95	2.20	0.4	PZ 1
No.6	3.5	6.9	2.35	2.60	0.5	PZ 2
No.7	3.9	7.5	2.55	2.80	0.5	PZ 2
No.8	4.2	8.2	2.75	3.05	0.6	PZ 2
No.10	4.8	9.5	3.25	3.55	0.7	PZ 2
No.12	5.5	10.8	3.65	3.95	0.8	PZ 3
No.14	6.3	12.5	4.25	4.55	0.9	PZ 3