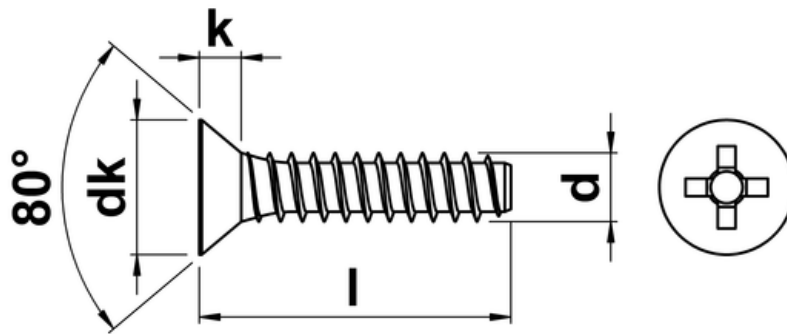




Phillips Csk Self Tapping Screws with Dog Point (Type F)

Self Tapping Screws with a Dog Point, Phillips driven and with a Countersunk head. Designed to be used with a pre-drilled pilot hole. Available in A2 Stainless Steel and suitable for use in more forging materials such as sheet aluminium or plastic. Manufactured to DIN 7982F.



d (gauge)	d (mm)	dk	k	s
No.4	2.9	5.5	1.7	P 1
No.6	3.5	6.8	2.1	P 2
No.7	3.9	7.5	2.3	P 2
No.8	4.2	8.1	2.5	P 2
No.10	4.8	9.5	3.0	P 2
No.12	5.5	10.8	3.4	P 3