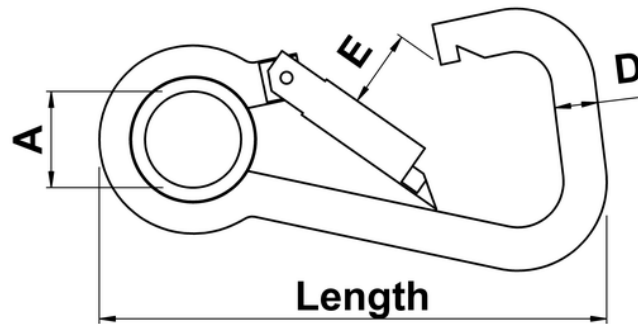




## Spring Hook Asymmetric Shape with Thimble

Spring Hook Asymmetric Shape with Thimble - also referred to as a Snap Hook, Carabina Hook or Carbine Clip. These are designed for applications where a higher degree of strength is required. The asymmetric (D-Shaped) design means the working load is mainly directed down the spine of the hook, which is considered the strongest section. Ideal for use in many Yachting/Boating applications such as rigging. The added Thimble facilitates easy and safe gliding of rope through the hook. Manufactured in A4 grade Stainless Steel for excellent anti-corrosive properties. Please note that the spring itself is in A2 grade stainless.



Size	Length	D	A	E	Safe Working Load (SWL) kg	Min breaking Load(BL) kN
6 x 60	60	6	7.5	10	130	5.1
8 x 80	80	8	10	13	195	7.8
10 x 100	100	10	13	18	300	11.8
11 x 120	120	11	15	24	355	13.9