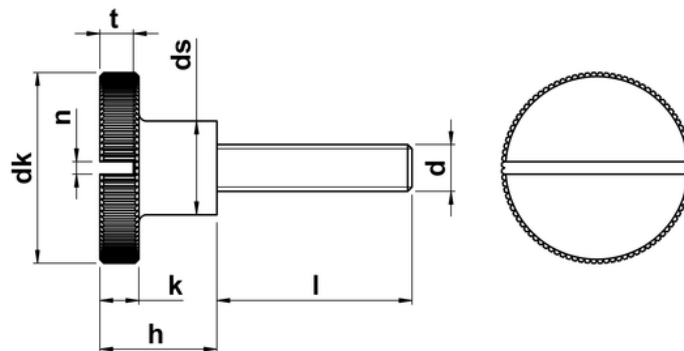




Slotted Thumb Screws High Type

Slotted Thumb Screws or Slotted Knurled Knob Screws are designed primarily to be tightened and loosened by hand, without the need for a screwdriver or ratchet, but this version comes with a slot in the head for a standard slotted screwdriver. The 'knurled' feature of the head makes this type of screw ideal for use where conditions can be challenging such as food preparation or clean room operations. Manufactured to DIN 465.



d	thread pitch	dk	ds	h	k	n	t min.	s
M3	0.50	12	6	7.5	2.5	0.8	1.8	0.8X4.0
M4	0.70	16	8	9.5	3.5	1.0	2.2	1.0X5.5
M5	0.80	20	10	11.5	4.0	1.2	2.8	1.2X7.0
M6	1.00	24	12	15.0	5.0	1.6	3.5	1.6X9.0