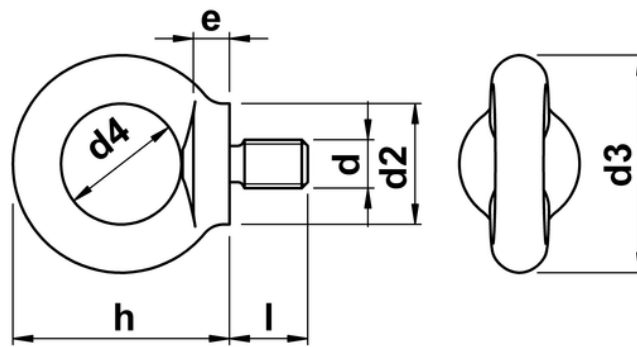




Lifting Eye Bolts (Cast Type)

These eye bolts, also known as lifting eyes, are cast and are designed to enable attachment of ropes and cables to structures, and for use in other light duty tensioning applications. Please note that these cast eye bolts are not approved for use in hoisting operations. Forged lifting eyes bolts are stronger and are therefore better used for lifting and heavy duty situations. Please call our sales team for pricing on these.



d	d2	d3	d4	h	e	L
M6	16	27	16	31	6	11.0
M8	20	36	20	36	6	13.0
M10	25	45	25	45	8	17.0
M12	30	54	30	53	10	20.5
M16	35	63	35	62	12	27.0
M20	40	72	40	71	14	30.0
M24	50	90	50	90	18	36.0
M30	65	108	60	109	22	45.0
M36	75	126	70	128	26	54.0