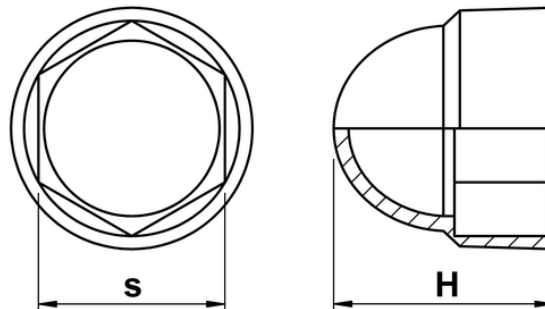




## Plastic Head Covers for Hex Screws/Nuts

These plastic caps are designed to cover metric hexagon nuts or bolt heads. Made from Polyethylene, these caps provide an attractive finish and offer some additional protection against weathering and accidental damage. Available in black or white.



M	S (A/F)	H
M4	7	8.8
M5	8	11.0
M6	10	12.8
M8	13	15.8
M10	17	20.0
M12	19	21.0
M14	22	23.8
M16	24	26.5
M18	27	30.5
M20	30	31.5
M24	36	39.0
M27	42	44.0
M30	46	47.5
M36	55	56.0
M42	60	59.0
M45	65	62.0
M39	70	69.0