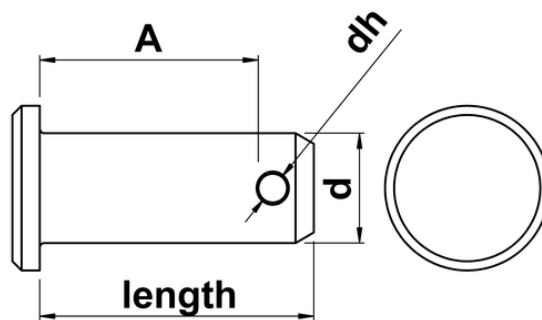




## Clevis Pins

Clevis Pins are used to allow rotation between connected parts about the Axis of the pin. Our Clevis Pins are unthreaded and consist of a head section, shanked body and a drilled hole across the shank. Used in conjunction with split pins or cotter pins to fix the Clevis in place. Uses include Agricultural Machinery, Towing, Sailing and Linkages.



size	d (mm)	d (inch)	A	dh
4 x 14	4	5/32	10	2
4 x 19	4	5/32	14	2.1
5 x 15	5	3/16	10	2.4
5 x 18	5	3/16	12	2.3
5 x 21	5	3/16	15	2.4
6 x 15	6	1/4	10	2.4
6 x 20	6	1/4	14	2.3
6 x 25	6	1/4	20	2.4
6 x 29	6	1/4	24	2.6
6 x 36	6	1/4	30	2.4
6 x 45	6	1/4	41	2.3
6 x 54	6	1/4	49	2.4
6 x 64	6	1/4	58	2.4
8 x 21	8	5/16	15	2.9
8 x 24	8	5/16	18	2.9
8 x 27	8	5/16	21	2.9
8 x 32	8	5/16	26	2.9

<b>size</b>	<b>d (mm)</b>	<b>d (inch)</b>	<b>A</b>	<b>dh</b>
<b>8 x 34</b>	8	5/16	28	3.0
<b>8 x 44</b>	8	5/16	38	3.0
<b>8 x 54</b>	8	5/16	48	2.9
<b>8 x 64</b>	8	5/16	58	2.8
<b>8 x 74</b>	8	5/16	68	2.8
<b>8 x 84</b>	8	5/16	78	2.9
<b>9.5 x 26</b>	9.5	3/8	21	3.2
<b>9.5 x 30</b>	9.5	3/8	24	2.8
<b>10 x 30</b>	10	13/32	24	2.9
<b>10 x 34</b>	10	13/32	28	3.1
<b>10 x 44</b>	10	13/32	37	2.8
<b>10 x 54</b>	10	13/32	47	3.0
<b>10 x 64</b>	10	13/32	-	-
<b>10 x 74</b>	10	13/32	68	3.0
<b>10 x 84</b>	10	13/32	-	-
<b>10 x 94</b>	10	13/32	88	3.0
<b>10 x 104</b>	10	13/32	97	3.1
<b>11 x 30</b>	11	7/16	24	2.7
<b>12 x 30</b>	12	1/2	26	2.9
<b>12 x 45</b>	12	1/2	38	2.9
<b>12 x 55</b>	12	1/2	48	2.9
<b>12 x 65</b>	12	1/2	58	2.9
<b>12 x 75</b>	12	1/2	-	-
<b>12 x 85</b>	12	1/2	79	3.0
<b>12 x 95</b>	12	1/2	-	-
<b>12 x 105</b>	12	1/2	99	3.0
<b>12 x 115</b>	12	1/2	-	-
<b>12 x 125</b>	12	1/2	119	3.0
<b>15 x 41</b>	15	5/8	34	4.0