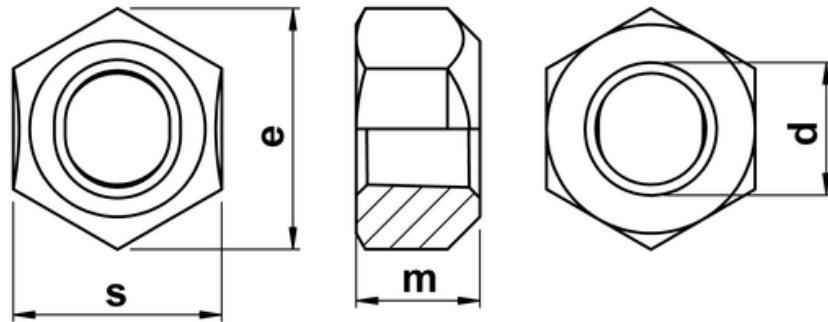




Stover Nuts

An elliptical offset type hexagon locking nut. Of all metal construction, and can be reused indefinitely. A locking nut for use in higher temperatures where a locking nylon ring nut would be unsuitable.



d	thread pitch	m	h	s
M6	1.00	6	4.5	10
M8	1.25	8	6	13
M10	1.50	10	7.5	17
M12	1.75	12	8.5	19
M16	2.00	16	12.5	24
M20	2.50	20	15.4	30
M24	3.00	24	18.5	36