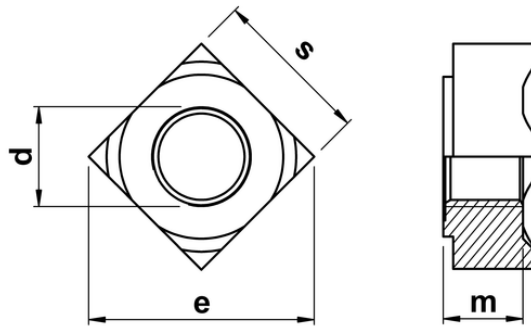




Square Weld Nuts

A square profile nut designed for welding to a part to form a threaded insert. The design incorporates a locating boss and welding projections. Conforms to DIN928.



d	thread pitch	m	s	e
M5	0.80	4.2	9	12
M6	1.00	5.0	10	13
M8	1.25	6.5	14	18
M10	1.50	8.0	17	22
M12	1.75	9.5	19	25