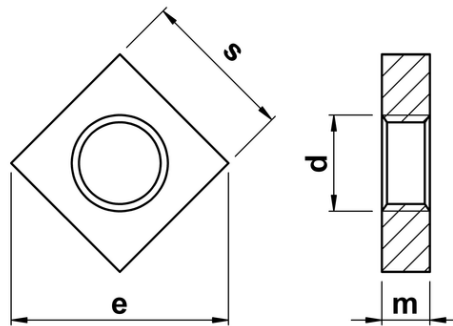




## Square Thin Nuts

A thin or half nut variation of the standard DIN 557 square nut. To DIN 562.



d	thread pitch	m	s	e
<b>M1.6</b>	0.35	1.0	3.2	4.0
<b>M2</b>	0.40	1.2	4	5.0
<b>M2.5</b>	0.45	1.6	5	6.3
<b>M3</b>	0.50	1.8	5.5	7.0
<b>M4</b>	0.70	2.2	7	8.9
<b>M5</b>	0.80	2.7	8	10.2
<b>M6</b>	1.00	3.2	10	12.7
<b>M8</b>	1.25	4.0	13	16.5
<b>M10</b>	1.50	5.0	16	20.2