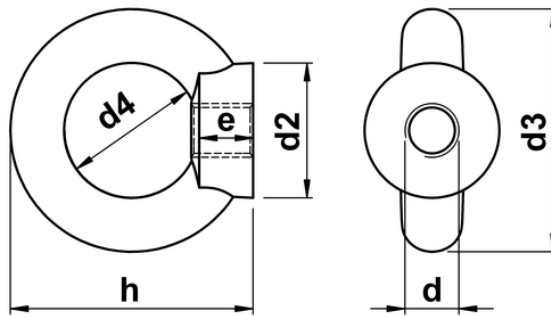




Lifting Eye Nuts (Cast Type)

These eye nuts, also known lifting eyes and ring nuts, are cast and are designed to enable attachment of ropes and cables to structures, and for use in other light duty tensioning applications. Please note that these cast eye nuts are not approved for use in hoisting operations. Forged lifting eyes nuts are stronger and are therefore better used for lifting and heavy duty situations. Please call our sales team for pricing on these.



d	thread pitch	d2	d3	d4	h	e
M6	1.00	16	27	16	31	8.0
M8	1.25	20	36	20	36	8.5
M10	1.50	25	45	25	45	10.0
M12	1.75	30	54	30	53	11.0
M16	2.00	35	63	35	62	13.0
M20	2.50	40	72	40	71	16.0
M27	3.00	65	108	60	109	22.0
M30	3.50	65	108	60	109	25.0
M36	4.00	75	126	70	128	30.0