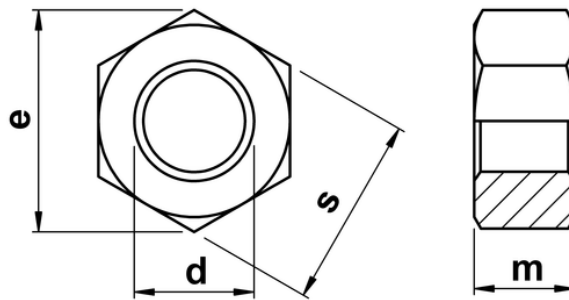




Full Hex Nuts Fine Pitch - ISO 8673 (DIN 934)

Fine Pitch Threaded hexagon full nut to DIN standard 934. Typically fitted with a spanner or ratchet with socket. The significantly more unusual Fine Pitch variant of the standard Coarse Pitch hex nut for use where more thread engagement is desired. Only for use in conjunction with a matching Fine Thread Pitch bolts or screws.



d	thread pitch	m min.	s	e
M8X1	1.00	6.14	13	14.38
M10X1	1.00	7.64	17	18.90
M10X1.25	1.25	7.64	17	18.90
M12X1.5	1.50	9.64	19	21.10
M12X1.25	1.25	9.64	19	21.10
M14X1.5	1.50	10.30	22	24.49
M16X1.5	1.50	12.30	24	26.75
M18X1.5	1.50	14.30	27	29.56
M20X1.5	1.50	14.90	30	32.95
M20X2	2.00	14.90	30	32.95
M22X1.5	1.50	16.90	32	35.03
M24X1.5	1.50	17.70	36	39.55
M24X2	2.00	17.70	36	39.55
M27X1.5	1.50	20.70	41	45.20
M27X2	2.00	20.70	41	45.20
M30X1.5	1.50	22.70	46	50.85
M30X2	2.00	22.70	46	50.85
M36X1.5	1.50	27.40	55	60.79

d	thread pitch	m min.	s	e
M36X3	3.00	27.40	55	60.79
M42X4.5	4.50	32.40	65	71.30