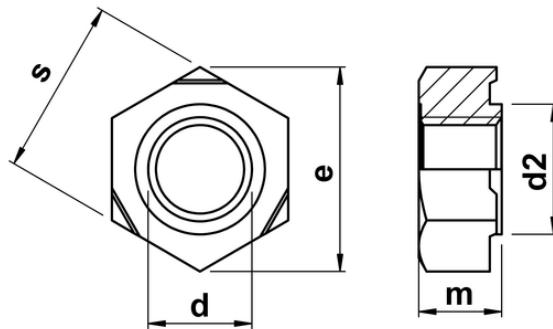




Hexagon Weld Nuts

A hexagon nut designed for welding to a part to form a threaded insert. The design incorporates a locating boss and welding projections. Conforms to DIN929.



d	thread pitch	m	s	e	d2
M3	0.50	3.0	7.5	8.15	4.5
M4	0.70	3.5	9	9.83	6.0
M5	0.80	4.0	10	10.95	7.0
M6	1.00	5.0	11	12.02	8.0
M8	1.25	6.5	14	15.38	10.5
M10	1.50	8.0	17	18.74	12.5
M12	1.75	10.0	19	20.91	14.8
M16	2.00	13.0	24	26.51	18.8