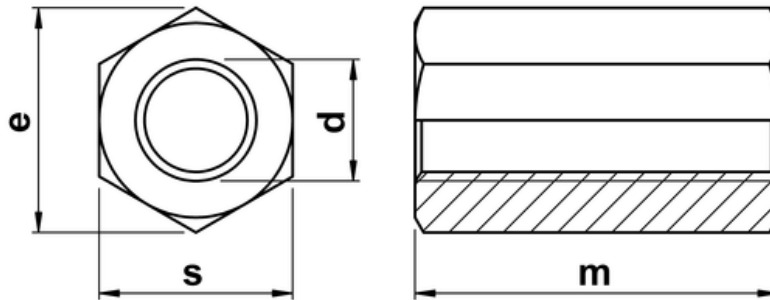




Studding Connector Nuts

Hexagon Coupling Nuts also known as a long nut, these DIN 6334 connector nuts are typically employed in joining sections of threaded bar/studding together where required.



d	thread pitch	m	s	e
M5	0.80	15	8	9.0
M6	1.00	18	10	11.1
M8	1.25	24	13	15.0
M10	1.50	30	17	19.6
M12	1.75	36	19	21.9
M16	2.00	48	24	27.7
M20	2.50	60	30	34.6
M24	3.00	72	36	41.6
M30	3.50	90	46	53.1