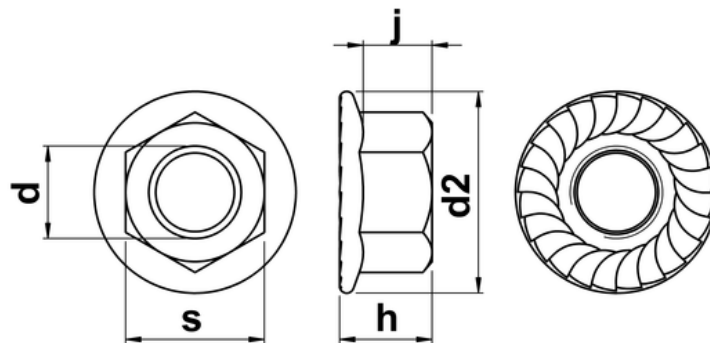




UNF Hex Serrated Flange Nuts

An hexagon nut with incorporated flange. The flange offers protection for the bolted component where the driving tool may otherwise scratch it's surface. The flange also lessens the need to use a washer. This particular version has serrations on the base.



d	tpi	s	d2	j	h
6-40	40	0.312	0.422	0.10	0.171
8-36	36	0.344	0.469	0.13	0.203
10-32	32	0.375	0.500	0.13	0.219
12-28	28	0.438	0.594	0.14	0.236
1/4	28	0.438	0.594	0.14	0.236
5/16	24	0.500	0.680	0.17	0.283
3/8	24	0.562	0.750	0.23	0.347
7/16	20	0.688	0.937	0.26	0.395
1/2	20	0.750	1.031	0.31	0.458
9/16	-	-	-	-	-
5/8	18	0.938	1.248	0.40	0.569
3/4	16	1.125	1.500	0.46	0.675