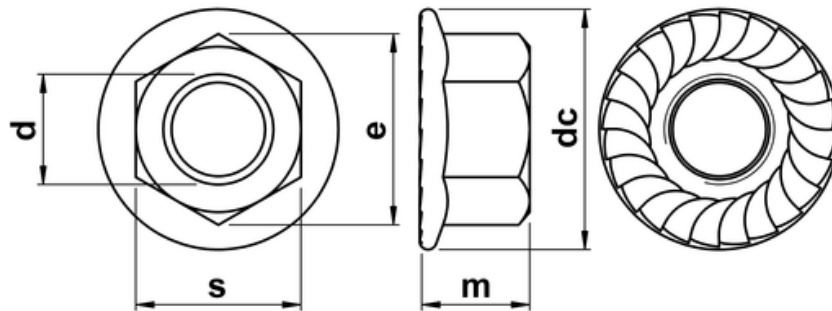




## Hex Serrated Flange Nuts EN 1661 (DIN 6923)

An hexagon nut with incorporated flange, to DIN 6923. The flange offers protection for the bolted component where the driving tool may otherwise scratch it's surface. The flange also lessens the need to use a washer. This particular version has serrations on the base. A non-serrated variant is also available.



d	thread pitch	dc	m	s	e
<b>M4</b>	0.70	10.0	4.65	7	7.66
<b>M5</b>	0.80	11.8	4.70	8	8.79
<b>M6</b>	1.00	14.2	5.70	10	11.05
<b>M8</b>	1.25	17.9	7.64	13	14.38
<b>M10</b>	1.50	21.8	9.64	15	17.77
<b>M12</b>	1.75	26.0	11.57	18	20.03
<b>M16</b>	2.00	34.5	15.30	24	26.75