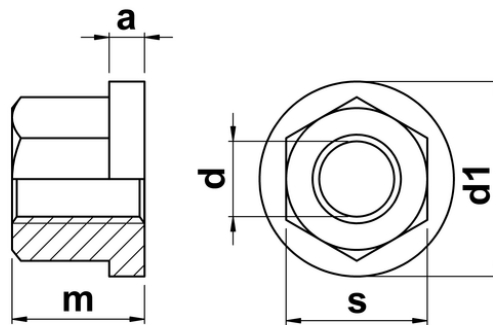




## Hexagon Nut with Collar and height 1.5 x thread diameter

A hexagon nut 1.5 x its nominal diameter in height with a collar, therefore negating the need for a washer. Used in clamping applications that require frequent removal and re-fitting. Manufactured to DIN 6331



d	thread pitch	m	s	e	d1	a
<b>M6</b>	1.00	9	10	11.05	14	3.0
<b>M8</b>	1.25	12	13	14.38	18	3.5
<b>M10</b>	1.50	15	16	17.77	22	4.0
<b>M12</b>	1.75	18	18	20.03	25	4.0
<b>M16</b>	2.00	24	24	26.75	31	5.0
<b>M20</b>	2.50	30	30	33.53	37	6.0
<b>M24</b>	3.00	36	36	39.98	45	6.0
<b>M30</b>	3.50	45	46	51.28	58	8.0
<b>M36</b>	4.00	54	55	61.31	68	10.0