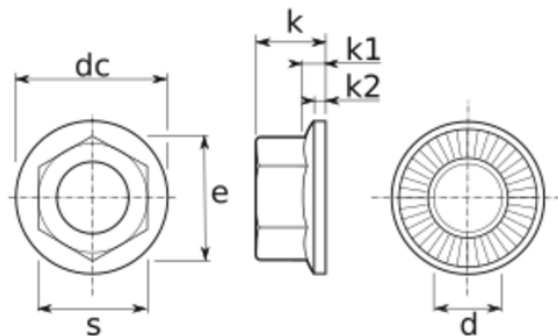




## Durlok Serrated Flange Nut

Unbrako Durlok®; self locking, anti vibration hex flange nuts. These serrated flanged hex nuts are designed to pair with the Unbrako Durlok®; self locking serrated flanged bolts. They both have a high tensile strength of 12.9 and a black oxide/self coloured finish. These heavy duty fasteners are suitable for situations where vibration and jarring occurs and where the joint is subject to high loads. They can be reused, as they are unlikely to be damaged by the adjoining surfaces. Durlok®; nuts and bolts are manufactured from alloy steel and are through hardened to give the same hardness from the tooth surface to the core. Durlok®; Fasteners can be used at high temperatures up to 300°C.



d	dc	e min.	k	k1	k2	s
<b>M5</b>	12	8.84	4.5	2.17	1.0	8
<b>M6</b>	14	11.10	5.2	2.27	1.1	10
<b>M8</b>	18	14.49	7.2	2.70	1.3	13
<b>M10</b>	21	16.64	9.0	3.24	1.6	15
<b>M12</b>	25	19.01	11.0	4.00	1.9	17
<b>M14</b>	28	21.23	12.5	4.50	2.2	19
<b>M16</b>	32	24.62	16.0	6.38	3.8	22
<b>M20</b>	39	30.14	18.0	6.49	3.1	27