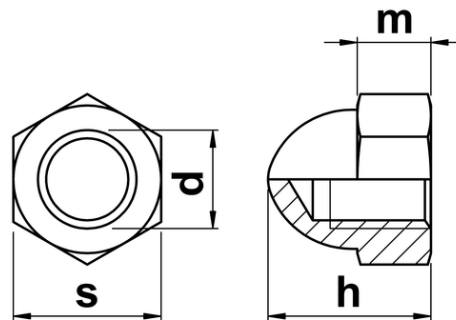




UNF Dome/Acorn Nuts

A popular nut used in applications where aesthetics are important. Also known as an Acorn nut, these nuts are manufactured to ASME B18.2.2. These have a standard Unified Fine Thread Pitch (UNF). To be used in conjunction with same sized UNF screws and bolts.



d	TPI	s	m	h
4-48	48	0.250	-	0.250
5-44	44	-	-	-
6-40	40	0.312	0.171	0.296
8-36	36	0.312	0.171	0.312
10-32	32	0.375	0.203	0.390
12-28	28	0.375	0.203	0.421
1/4	28	0.437	0.234	0.468
5/16	24	0.562	0.281	0.531
3/8	24	0.625	0.312	0.625
7/16	20	0.625	0.343	0.718
1/2	20	0.750	0.421	0.812
5/8	18	1.000	0.531	0.984
3/4	16	1.062	0.593	1.187