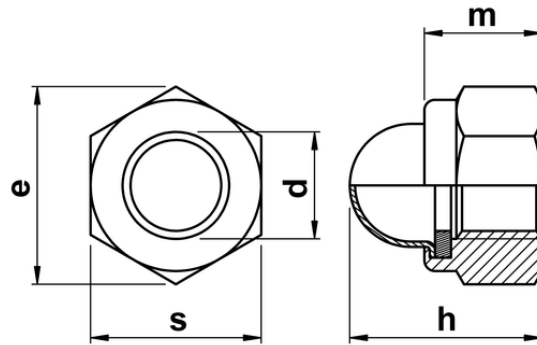




Dome Nyloc Nuts

A prevailing torque type locking version sharing the characteristics of the DIN 1587 dome nut. Incorporating a nylon insert to help prevent loosening when fitted. Conforms to DIN 986.



d	thread pitch	m	h	s	e
M4	0.70	2.90	9.6	7	7.66
M5	0.80	4.40	10.5	8	8.79
M6	1.00	4.90	12.0	10	11.05
M8	1.25	6.44	14.0	13	14.38
M10	1.50	8.04	18.1	16	18.90
M12	1.75	10.37	22.5	18	21.10
M14	2.00	12.10	26.4	21	23.35
M16	2.00	14.10	27.5	24	26.75