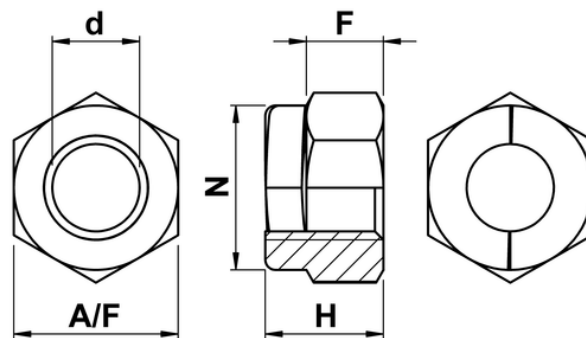




## UNF Aerotight All Metal Locking Nuts

Slotted or split beam type hexagon locking nut, of all metal construction with UNF thread form. Manufactured in the UK with the Aerotight trademark. Undersize threaded sections on top portion of nut mean that when tightened into position the undersize section is forced outward creating high friction and a more secure 'locked' fitment.



Size	tpi	A/F Max	Dia. N Max.	H Max.	Thin	F Min.	Thin
4-56	56	0.250	0.177	0.172	0.140	0.080	0.053
6-40	40	0.313	0.238	0.203	0.167	0.100	0.064
10-32	32	0.375	0.360	0.266	0.222	0.149	0.105
1/4	28	0.438	0.425	0.312	0.245	0.175	0.108
5/16	24	0.500	0.488	0.408	0.299	0.250	0.141
3/8	24	0.563	0.550	0.459	0.355	0.287	0.183
7/16	20	0.688	0.675	0.539	0.414	0.350	0.225
1/2	20	0.750	0.738	0.621	0.475	0.412	0.266
5/8	18	0.937	0.922	0.773	N/A	0.537	N/A
3/4	16	1.125	1.110	0.934	N/A	0.662	N/A