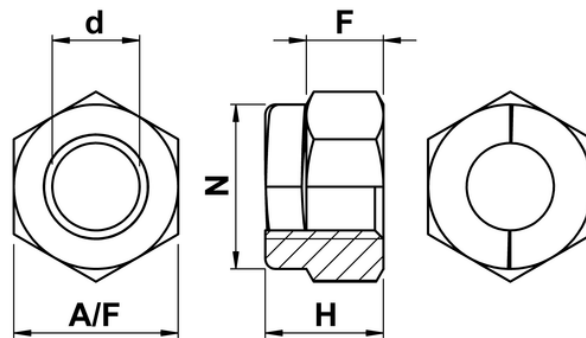




UNC Aerotight All Metal Locking Nuts

Slotted or split beam type hexagon all metal locking nut with UNC Thread form . Manufactured in the UK with the Aerotight trademark. Undersize threaded sections on top portion of nut mean that when tightened into position the undersize section is forced outward creating high friction and a more secure 'locked' fitment. A locking nut for use in higher temperatures where a locking nylon ring nut would be unsuitable.



Size	tpi	A/F Max.	Dia. N Max.	H Max.	Thin	F Min.	Thin
4-40	40	0.250	0.177	0.172	0.140	0.080	0.053
6-32	32	0.313	0.238	0.203	0.167	0.100	0.064
10-24	24	0.375	0.360	0.266	0.222	0.149	0.105
1/4	20	0.438	0.425	0.312	0.245	0.175	0.108
5/16	18	0.500	0.488	0.408	0.299	0.250	0.141
3/8	16	0.563	0.550	0.459	0.355	0.287	0.183
7/16	14	0.688	0.675	0.539	0.414	0.350	0.225
1/2	13	0.750	0.738	0.621	0.475	0.412	0.266
5/8	11	0.937	0.922	0.773	N/A	0.537	N/A
3/4	10	1.125	1.110	0.934	N/A	0.662	N/A