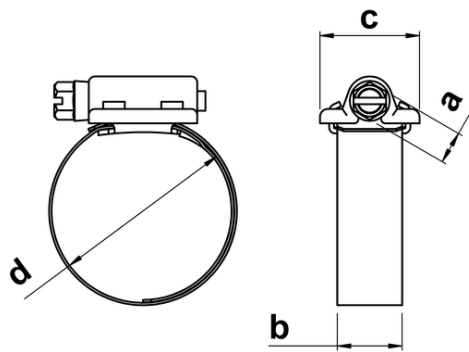




---

## Tri-Torque Hose Clips 16mm band

Tri-Torque clamps have a 16mm wide band and wide profile housing that provides maximum engagement of screw threads to band. They are engineered to deliver exceptionally high rates of band tension to handle even the toughest sealing jobs, including wire-reinforced spiral-wound hose. Designed for high vibration and stubborn leakage applications e.g. industrial machinery, heavy truck, farm and off-road equipment engines.



<b>a</b>	8mm
<b>b</b>	16mm
<b>c</b>	23mm