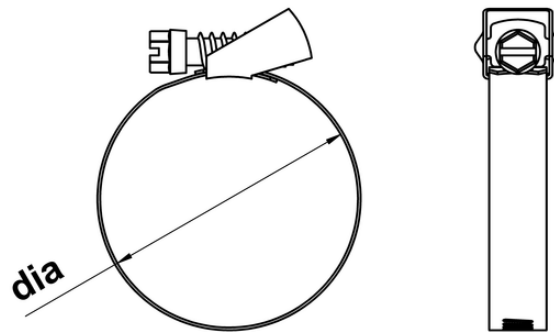




Quick Release Hose Clamps

Quick release style worm drive clamps are indispensable for installation in closed systems where the clamp must be disengaged to be applied. The swivel-action locking of the screw to band makes both installation and removal fast and easy. This is a first class answer to the ducting industry and is a most flexible clip. It quite happily wraps around awkward bundles and because of the range availability is a valuable cover-all clip to keep in maintenance departments.



Part	Size	Material
Hex Screw	5/16" (8mm)	410 St. St.
Band	1/2" (12.4/13mm)	201 St. St.
Housing	-	410 St. St.