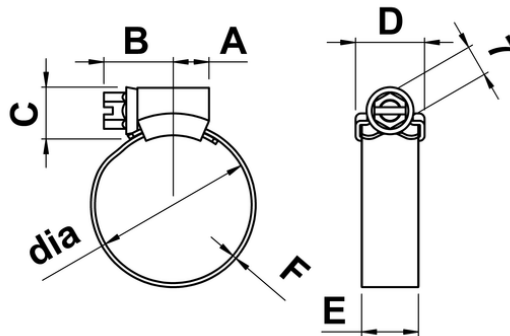




## JCS HiGrip Hose Clips 316 Stainless Steel

JCS Hi-Grip worm drive hose clips have become the industry standard for demanding applications throughout the world due to their exceptional quality and performance. Available in A2 (18/8) and marine grade A4 stainless steel. Both grades come with Lloyds Register Approval, as being ideal for salt water and other highly corrosive environments. The band threads are pressed in (rather than perforated) which enhances the thread strength and presents a smooth and snag-free band surface to the hose. Their tough construction will stand a great deal of abuse. The hose clips have fully rounded edges to give the best possible protection to the hose. The A4 variant, aimed at the marine, food, petro-chemical and pharmaceutical industries, are made entirely from BS316 austenitic stainless steel, provide maximum corrosion resistance.



S	dia (mm)	dia (ins)	A	B	C	D	E	F	Rec. Torque - NM, (lb-in)
12	9.5 - 12	3/8 - 1/2	7	14	10	12	9	0.7	3.0, (26)
16	11 - 16	1/2 - 5/8	7	14	10	12	9	0.7	3.0, (26)
20	13 - 20	1/2 - 3/4	7	14	10	12	9	0.7	3.0, (26)
22	14 - 22	5/8 - 7/8	8	15	12	15	13	0.9	5.0, (45)
25	17- 25	3/4 - 1	8	15	12	15	13	0.9	5.0, (45)
30	22 - 30	7/8 - 1-1/8	8	15	12	15	13	0.9	5.0, (45)
35	25 - 35	1 - 1-3/8	8	15	12	15	13	0.9	5.0, (45)
40	30 - 40	1-1/8 - 1-5/8	8	15	12	15	13	0.9	5.0, (45)
45	35 - 45	1-3/8 - 1-3/4	8	15	12	15	13	0.9	5.0, (45)
50	35 - 50	1-3/8 - 2	13	20	12	16	13	0.9	6.0, (54)
55	40 - 55	1-5/8 - 2-1/8	13	20	12	16	13	0.9	6.0, (54)
60	45- 60	1-3/4 - 2-3/8	13	20	12	16	13	0.9	6.0, (54)
70	50 - 70	2 - 2-3/4	13	20	12	16	13	0.9	6.0, (54)
80	60 - 80	2-3/8 - 3-1/8	13	20	12	16	13	0.9	6.0, (54)

<b>S</b>	dia (mm)	dia (ins)	A	B	C	D	E	F	Rec. Torque - NM, (lb-in)
<b>90</b>	70 - 90	2-3/4 - 3-1/2	13	20	12	16	13	0.9	6.0, (54)
<b>100</b>	80 - 100	3-1/8 - 4	13	20	12	16	13	0.9	6.0, (54)
<b>120</b>	90 - 120	3-1/2 - 4-3/4	13	20	12	16	13	0.9	6.0, (54)
<b>140</b>	110 - 140	4-3/8 - 5-1/2	13	20	12	16	13	0.9	6.0, (54)
<b>160</b>	130 - 160	5-1/8 - 6-1/4	13	20	12	16	13	0.9	6.0, (54)
<b>180</b>	150 - 180	5-7/8 - 7-1/8	13	20	12	16	13	0.9	6.0, (54)
<b>200</b>	170 - 200	6-5/8 - 7-7/8	13	20	12	16	13	0.9	6.0, (54)
<b>220</b>	190 - 220	7-1/2 - 8-5/8	13	20	12	16	13	0.9	6.0, (54)
<b>240</b>	210 - 240	8-1/4 - 9-1/2	13	20	12	16	13	0.9	6.0, (54)
<b>260</b>	230 - 260	9 - 10-1/4	13	20	12	16	13	0.9	6.0, (54)
<b>280</b>	250 - 280	9-7/8 - 11	13	20	12	16	13	0.9	6.0, (54)
<b>300</b>	270 - 300	10-5/8 - 11-3/4	13	20	12	16	13	0.9	6.0, (54)
<b>320</b>	290 - 320	11-3/8 - 12-1/2	13	20	12	16	13	0.9	6.0, (54)
<b>340</b>	310 - 340	12-1/4 - 13-3/8	13	20	12	16	13	0.9	6.0, (54)
<b>360</b>	330 - 360	13 - 14-1/8	13	20	12	16	13	0.9	6.0, (54)
<b>380</b>	350 - 380	13-3/4 - 15	13	20	12	16	13	0.9	6.0, (54)