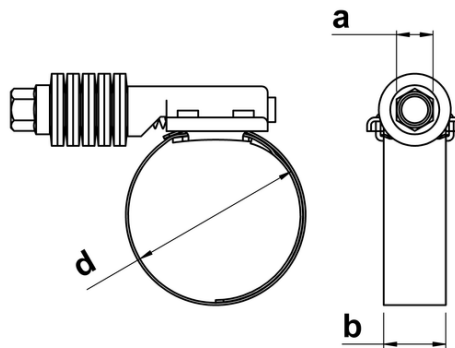




T45 Constant Tension Hose Clamps

Constant Tension Clamps are designed to deal with "cooling leakage": this occurs when a hose assembly is subjected to a vigorous hot temperature causing expansion of the joint and whilst a normal hose clamp may expand to cope, the joint may come loose on cooling. Similar conditions i.e. movement due to temperature changes, occur in very cold circumstances. These clamps have found favour with the large engine slower moving vehicles e.g. earth movers, trucks and tractors, due to the clips tenacity in tough conditions.



dia (mm)	a (inch/mm)	b (mm)
25 - 45	3/8 / 10	16
32 - 54	3/8 / 10	16
45 - 67	3/8 / 10	16
57 - 79	3/8 / 10	16
70 - 92	3/8 / 10	16
83 - 105	3/8 / 10	16
95 - 117	3/8 / 10	16
108 - 130	3/8 / 10	16
121 - 143	3/8 / 10	16
133 - 155	3/8 / 10	16
146 - 168	3/8 / 10	16
159 - 181	3/8 / 10	16
172 - 193	3/8 / 10	16
184 - 206	3/8 / 10	16
197 - 219	3/8 / 10	16
210 - 232	3/8 / 10	16