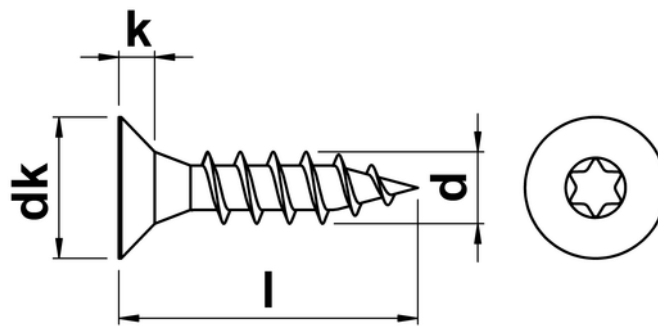




Torx Countersunk Chipboard Screws

General purpose wood screws with a Torx drive; also known as star, 6 lobe, and hexalobular internal. The torx drive is designed to prevent "cam out", which makes them ideal for use with modern drill/drivers. The countersunk head is typically used in conjunction with a countersunk hole providing a flush, snag free fit. Please note that the head shape can vary between a countersunk, double countersunk, and bugle shape.



d	dk	k	s
3	6	1.50	T 10
3.5	7	1.75	T 10
4	8	2.00	T 20
4.5	9	2.25	T 20
5	10	2.50	T 25
6	12	3.00	T 25
8	14	4.00	T 40
10	19	4.70	T 40