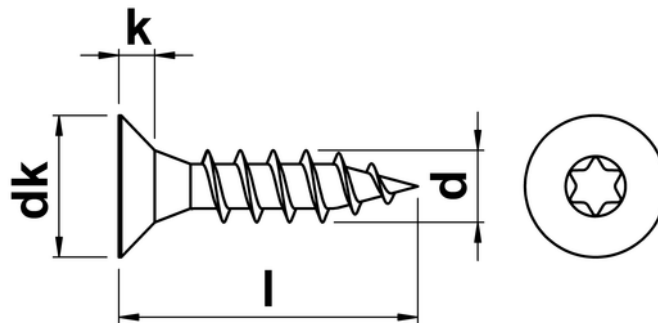




QZ Torx Csk Head Chipboard Screws

QZ branded wood screws with a torx or hexalobular drive, and available in two finishes. The countersunk head permits a flush, snag free finish.



d	dk	k	s
3	6	1.50	T 10
3.5	7	1.75	T 15
4	8	2.0	T 20
4.5	9	2.25	T 20
5	10	2.5	T 25
6	12	3.0	T 25