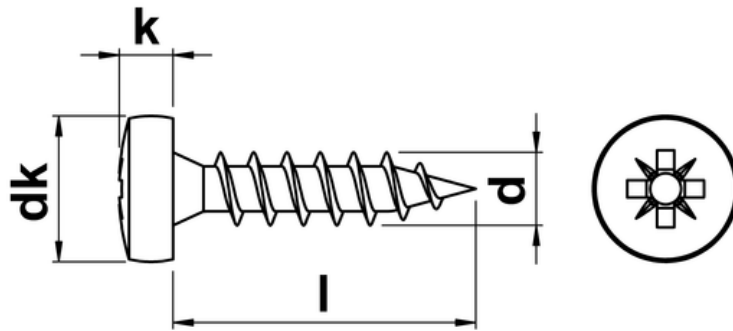




Pozidrive Pan Head Chipboard Screws

General purpose wood screws with a pozidrive pan shaped head. Please note that these screws may include a partially threaded shank.



d	dk max.	k	s
3	6	2.28	PZ1
3.5	7	2.58	PZ 2
4	8	2.95	PZ 2
4.5	9	3.18	PZ 2
5	10	3.65	PZ 2
6	12	4.5	PZ 3