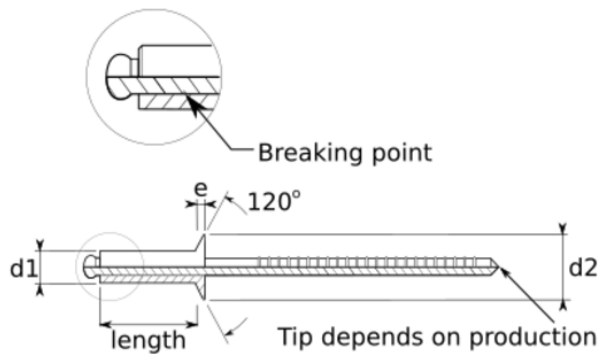




## Blind Rivets with Countersunk Head

Blind rivets, also known as pop rivets, are an unthreaded fastener, and can be used when access is only available on one side of the workpiece or joint. These rivets are fitted using one of several types of riveting tool. These items are manufactured in many different types and material combinations. The examples here are the standard open type, with a countersunk head, and are to ISO 15984 standard.



d1	d2	clamp. range	l	e	Shear load N	Tensile load N
3.0	5.4 - 6.3	1.5 - 3.0	6	1.3	1800	2200
3.0	5.4 - 6.3	3.0 - 5.0	8	1.3	1800	2200
3.0	5.4 - 6.3	5.0 - 6.5	10	1.3	1800	2200
3.0	5.4 - 6.3	6.5 - 8.5	12	1.3	1800	2200
3.0	5.4 - 6.3	8.5 - 10.5	14	1.3	1800	2200
3.0	5.4 - 6.3	10.5 - 12.5	16	1.3	1800	2200
3.2	5.8 - 6.7	1.5 - 3.0	6	1.3	1900	2500
3.2	5.8 - 6.7	3.0 - 5.0	8	1.3	1900	2500
3.2	5.8 - 6.7	5.0 - 6.5	10	1.3	1900	2500
3.2	5.8 - 6.7	6.5 - 8.5	12	1.3	1900	2500
3.2	5.8 - 6.7	8.5 - 10.5	14	1.3	1900	2500
3.2	5.8 - 6.7	10.5 - 12.5	16	1.3	1900	2500
4.0	6.9 - 8.4	1.0 - 2.5	6	1.7	2700	3500
4.0	6.9 - 8.4	2.5 - 4.5	8	1.7	2700	3500
4.0	6.9 - 8.4	4.5 - 6.5	10	1.7	2700	3500
4.0	6.9 - 8.4	6.5 - 8.5	12	1.7	2700	3500
4.0	6.9 - 8.4	8.5 - 10.0	14	1.7	2700	3500

<b>d1</b>	<b>d2</b>	<b>clamp. range</b>	<b>l</b>	<b>e</b>	<b>Shear load N</b>	<b>Tensile load N</b>
4.0	6.9 - 8.4	10.0 - 12.0	16	1.7	2700	3500
4.0	6.9 - 8.4	12.0 - 14.0	18	1.7	2700	3500
4.0	6.9 - 8.4	14.0 - 16.0	20	1.7	2700	3500
4.8	8.3 - 10.1	2.5 - 4.0	8	2.0	4000	5000
4.8	8.3 - 10.1	4.0 - 6.0	10	2.0	4000	5000
4.8	8.3 - 10.1	6.0 - 8.0	12	2.0	4000	5000
4.8	8.3 - 10.1	7.0 - 9.0	14	2.0	4000	5000
4.8	8.3 - 10.1	8.0 - 11.0	16	2.0	4000	5000
4.8	8.3 - 10.1	11.0 - 13.0	18	2.0	4000	5000
4.8	8.3 - 10.1	13.0 - 15.0	20	2.0	4000	5000
4.8	8.3 - 10.1	15.0 - 17.0	25	2.0	4000	5000
4.8	8.3 - 10.1	17.0 - 19.0	30	2.0	4000	5000
5.0	8.7 - 10.5	2.5 - 4.0	8	2.1	4700	5800
5.0	8.7 - 10.5	4.0 - 6.0	10	2.1	4700	5800
5.0	8.7 - 10.5	6.0 - 8.0	12	2.1	4700	5800
5.0	8.7 - 10.5	7.0 - 9.0	14	2.1	4700	5800
5.0	8.7 - 10.5	8.0 - 11.0	16	2.1	4700	5800
5.0	8.7 - 10.5	11.0 - 13.0	18	2.1	4700	5800
5.0	8.7 - 10.5	13.0 - 15.0	20	2.1	4700	5800
5.0	8.7 - 10.5	15.0 - 17.0	25	2.1	4700	5800
5.0	8.7 - 10.5	17.0 - 19.0	30	2.1	4700	5800