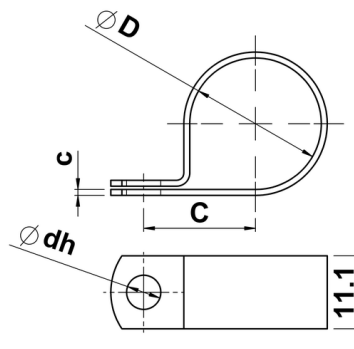




P Clips in Solid Brass

High quality classic solid brass P clips for general use. P clips, also known as P clamps, are made from a single band of brass and are used for fixing cables, hoses and pipes. The brass P clips are used where there is a chance of the cables chafing and then causing damage to components i.e. with electrical equipment, vehicles and domestic appliances. The fixing holes are 5.2mm in diameter, except for the 2 and 3mm sizes, where they are 4.5mm. Made in the UK.



WF Part No.	D	C	c	dh
WF61328	2.0	9.5	0.5	4.5
WF61329	3.0	10.0	0.5	4.5
WF61330	3.5	10.3	0.5	4.5
WF61331	4.8	11.1	0.5	5.2
WF61332	6.0	11.7	0.5	5.2
WF61333	6.4	11.9	0.7	5.2
WF61334	7.0	12.2	0.7	5.2
WF61335	8.0	12.7	0.7	5.2
WF61336	9.5	13.4	0.7	5.2
WF61337	11.1	14.4	0.9	5.2
WF61338	12.7	15.3	0.9	5.2
WF61339	14.3	16.1	0.9	5.2
WF61340	16.0	16.9	0.9	5.2
WF61341	17.5	17.7	0.9	5.2
WF61342	19.0	18.4	0.9	5.2
WF61343	22.2	20.0	0.9	5.2
WF61344	25.4	21.6	0.9	5.2